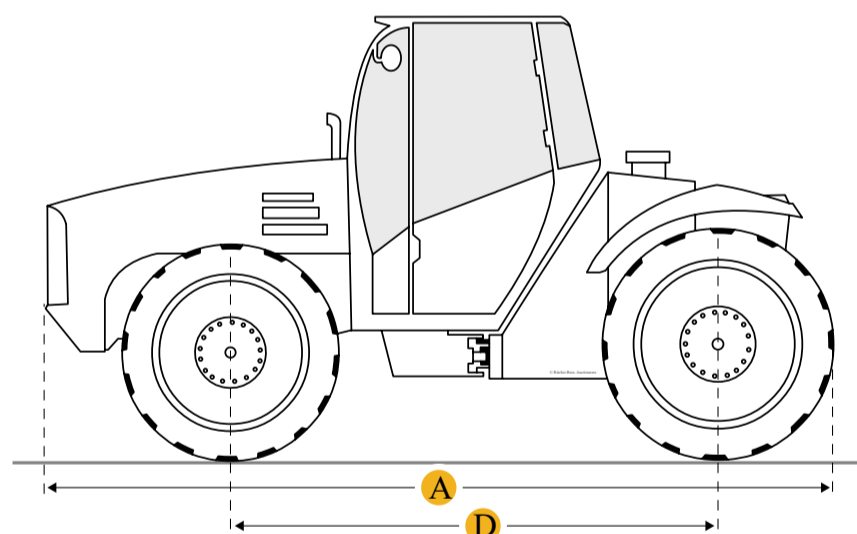
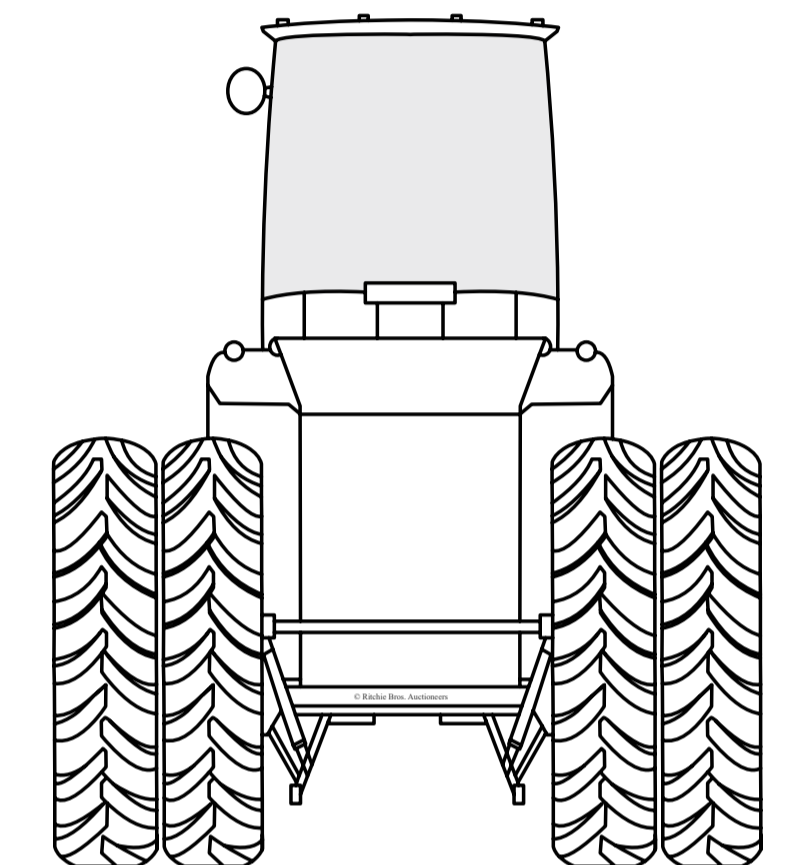
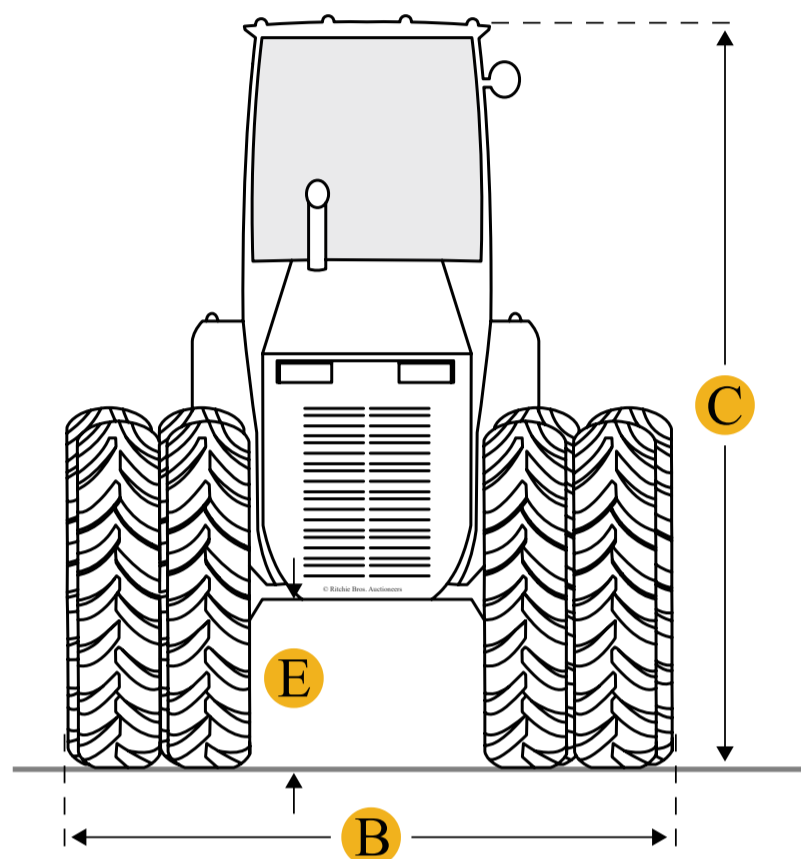


McCormick MTX150 4WD Tractor



Units

Imperial

Metric

Dimensions

Dimensions

A	Overall Length	16.93 in
B	Width Outside Frame	7.55 ft in
D	Wheelbase	8.94 in
	Tire Size	front 16.9R28 rear 20.8R38

Specifications

Engine

Number Of Cylinders	6
Engine Make	0
Gross Power	150.2 hp
Power Measured @	2200 rpm
Displacement	412 cu in
Torque Rise	20 %
Aspiration	turbocharged intercooler

Operational

Operating Weight	13580.5 lb
Fuel Capacity	70.1 gal
3 Point Hitch Type	Cat IIIN
3 Point Hitch Lift Capacity @ 24 Inches	14555 lb
Turning Radius	15.3 ft in
Alternator Supplied Amperage	120 amps

Transmission

Number Of Forward Gears	16
Number Of Reverse Gears	12

Hydraulic System

Pump Flow Capacity	28.8 gal/min
---------------------------	--------------

Compare similar models

Manufacturer/Model	3 Point Hitch Lift Capacity @ 24 Inches	Gross Power	Operating Weight
<input type="checkbox"/> Ursus 1654	14771 lb	160 hp	13051.4 lb
<input type="checkbox"/> JCB Fastrac 2140	13227.8 lb	155 hp	14727 lb
<input type="checkbox"/> New Holland T6080 Elite	12211.5 lb	155 hp	12345.9 lb

Compare

Find McCormick MTX150 4WD Tractor for Sale

[See McCormick 4WD Tractor for sale rbauction.com](#)

[See McCormick 4WD Tractor for sale ironplanet.com](#)

[See McCormick 4WD Tractor for sale mascus.com](#)

Need help? [Contact Us](#)

 English

Company

[About Ritchie Bros.](#)

[rbauction.com](#)

[ironplanet.com](#)

[mascus.com](#)

[rbassetsolutions.com](#)

[Contact Us](#)

Popular Searches

[JCB 407ZX Wheel Loader](#)

[Terex TR70 Rock Truck](#)

[Caterpillar 365C L Hydraulic Excavator](#)

[Terex TA40 Articulated Dump Truck](#)

[Caterpillar 143H Motor Grader](#)

[Volvo L90D Wheel Loader](#)

[Hyundai HL780-3A Wheel Loader](#)

[Bobcat S175 Skid Steer Loader](#)

[Caterpillar D9T Crawler Tractor](#)

Looking for equipment or trucks?

Ritchie Bros. sells more new and used industrial equipment and trucks than any other company in the world.

[Equipment for sale on rbau...](#)

[Equipment for sale on ironpl...](#)

[Equipment for sale on masc...](#)

[Sell your equipment](#)

© 2007-2018 RitchieSpecs Equipment Specifications Ritchie Bros. Auctioneers © [Privacy Statement](#) | [Terms of Use](#)
OEM specifications are provided for base units. Actual equipment may vary with options.