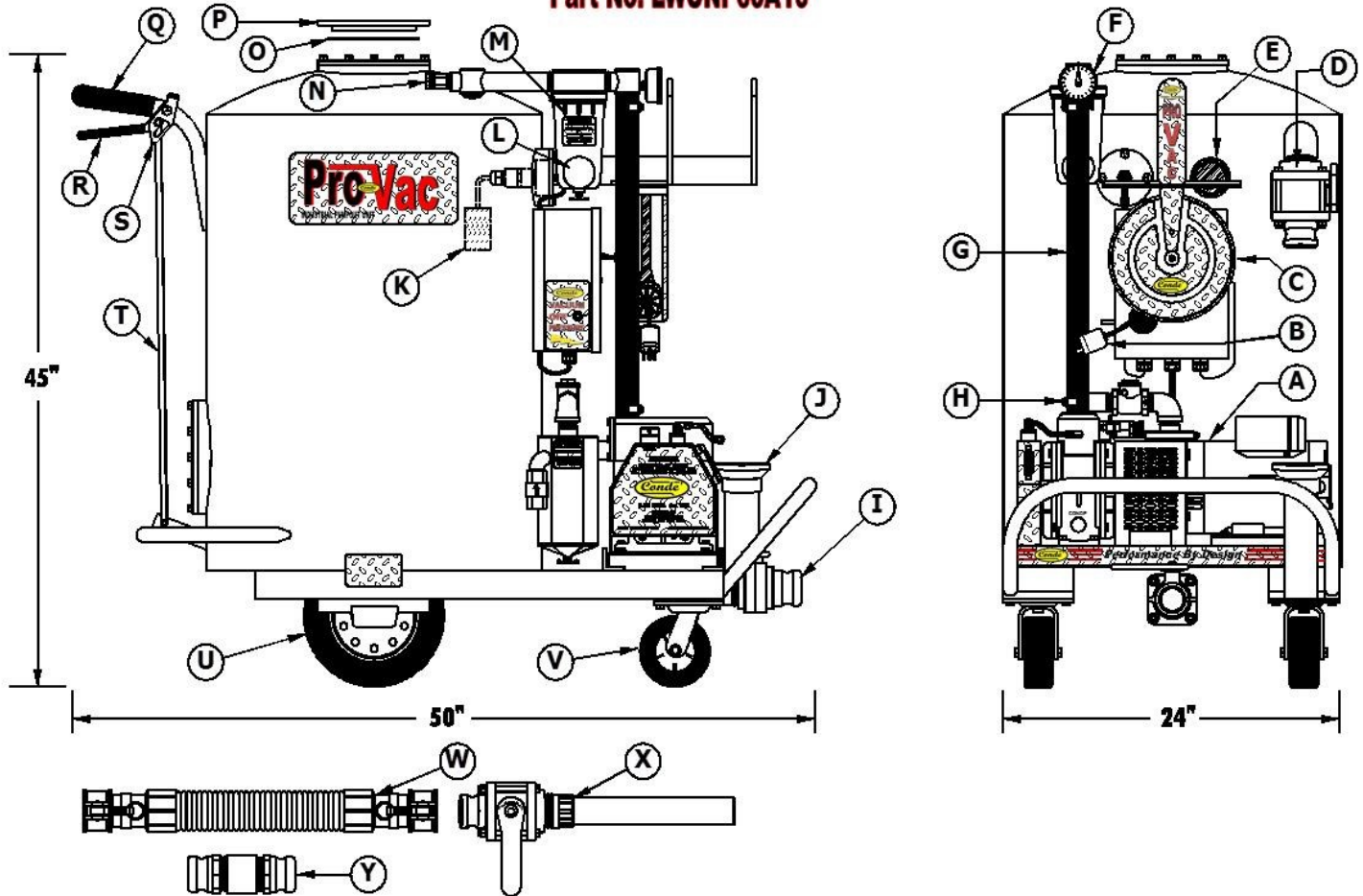


ProVac Industrial Pumpout - Parts Identification

Part No: LWUNP60A10

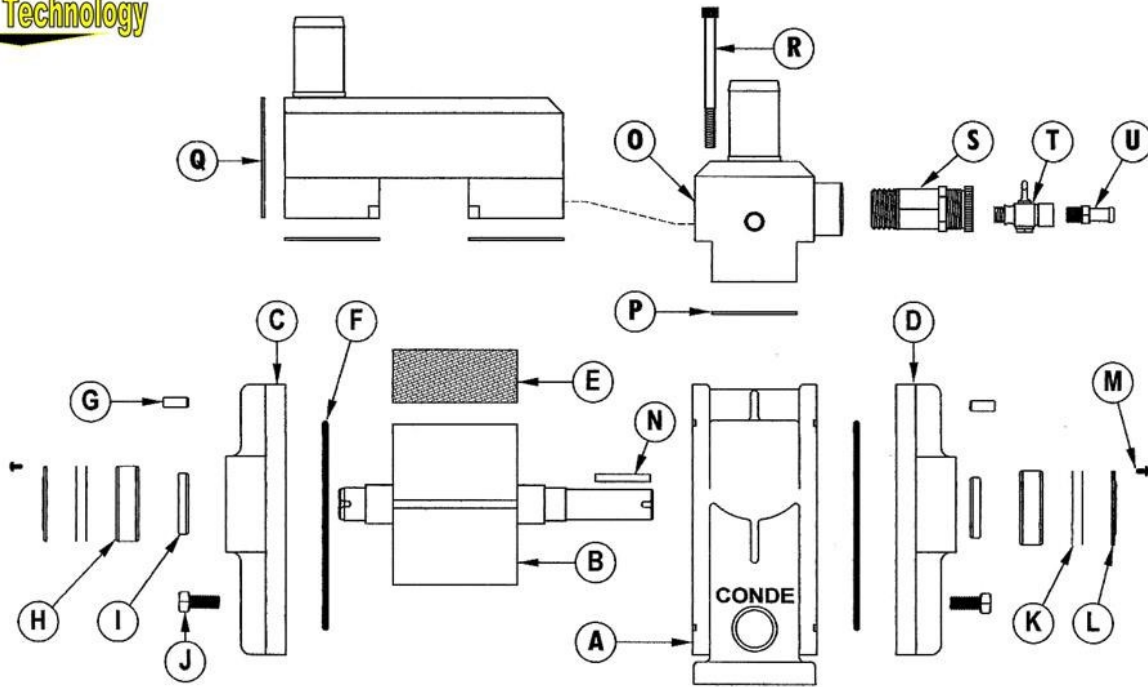


ITEM	PART NO.	QTY	DESCRIPTION
A	OLUN0394PRO10	1	PROVAC PUMP AND MOTOR PACKAGE
B	CORDRP	1	CORD PLUG - MALE (5-15)
C	CORD1	1	RETRACTABLE CORD REEL - 12 AWG
D	LWVB200B	1	2" INLET BALL VALVE (TOP)
E	LWVG21	1	2" SIGHT GLASS & O-RING
F	GAGE016	1	VAC/PRESS GAUGE - LIQUID FILLED
G	HOSELWP114	2 FT	1-1/4" VACUUM / PRESSURE HOSE
H	CLAMP020	2	S.S. HOSE CLAMP
I	LWVB200A	1	2" DISCHARGE BALL VALVE (BOTTOM)
J	PVCCR300200	1	WAND HOLDER - PVC TOP
K	LWSW02	1	FLOAT SWITCH
L	1BA200B	1	SECONDARY TRAP- FLOAT BALL
M	LWTR02B	1	SECONDARY TRAP - BOWL REPLACEMENT
N	RVP10P	1	3/4" PRESSURE RELIEF VALVE
O	OR259	2	CLEANOUT O-RING
P	LWCOCSA01	2	CLEANOUT COVER
Q	LWGR00	2	HANDLE GRIP
R	LWBH01	1	BRAKE HANDLE
S	LWBH02	1	BRAKE THUMB LOCK
T	LWBR01	1	BRAKE LINKAGE ROD
U	LWW10	2	REAR WHEEL
V	LWCA05	2	FRONT SWIVEL CASTOR
W	LWHA10	1	2" X 10 FT HOSE ASSEMBLY (STANDARD)
	LWHA20		2" X 20 FT HOSE ASSEMBLY (OPTIONAL)
X	LWWA15	1	WAND ASSEMBLY
Y	LWHCONN		2" MALE - HOSE CONNECTOR (OPTIONAL)



Vacuum Technology

Part No: OL03PV ProVac Pump - Replacement

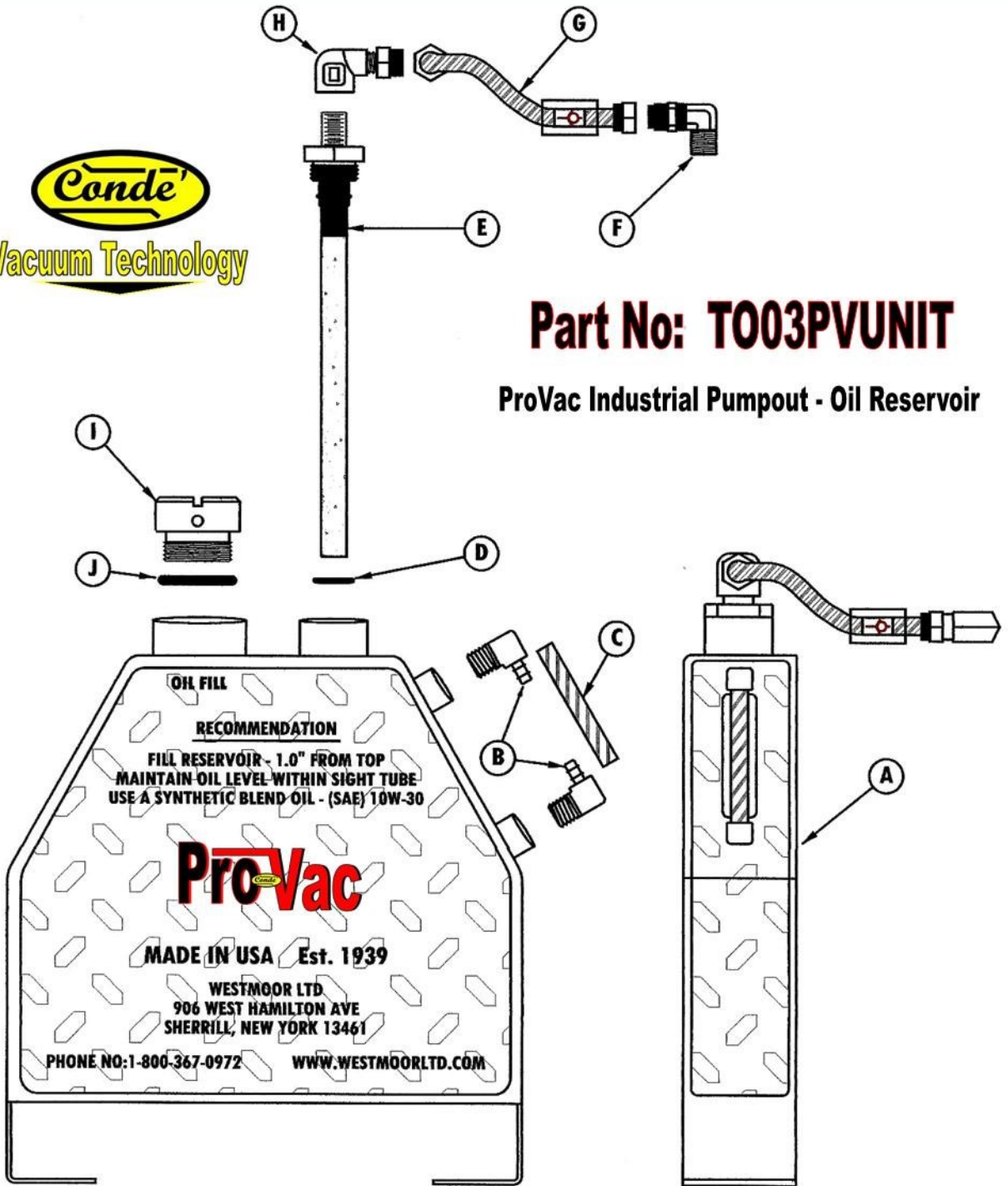


ITEM	QTY	PART NUMBER	DESCRIPTION
A	1	HS03PV	#3 PROVAC HOUSING
B	1	RT03PV	#3 PROVAC ROTOR
C	1	PLF03PV-2L	#3 PROVAC (CW) END PLATE
D	1	PLF03PV-3R	#3 PROVAC (CCW) END PLATE
E	4	VN03FB91PV	#3 PROVAC VANE
F	2	OR159	#3 PROVAC HOUSING O-RING
G	4	PIN3612	1/4" DOWEL PIN
H	2	BR036204A	#3 BEARING
I	2	SE03	#3 OIL SEAL
J	12	FS31075A	5/16" - 18 X 3/4" HEX CAP SCREW
K	1/SET	BRS03	#3 SHIM SET
L	2	BRC03	#3 BEARING COVER
M	1/SET	FS16025	#3 BEARING COVER SCREWS
N	1	KEY03	#3 (3/16" SQ.) SHAFT KEY
O	1	PVMANIFOLD	#3 PROVAC PUMP MANIFOLD
P	2	GSKPV03	#3 PROVAC MANIFOLD GASKET
Q	1	GSKPV04	#3 PROVAC MUFFLER GASKET
R	4	FSX25325	1/4-20 X 3-1/4" SOCKET HEAD BOLT
S	1	RVP10	3/4" BRASS VACUUM RELIEF VALVE
T	1	SV124	FLUSH VALVE
U	1	TO008	1/8" NPT X 1/4" HOSE BARB



Part No: T003PVUNIT

ProVac Industrial Pumpout - Oil Reservoir

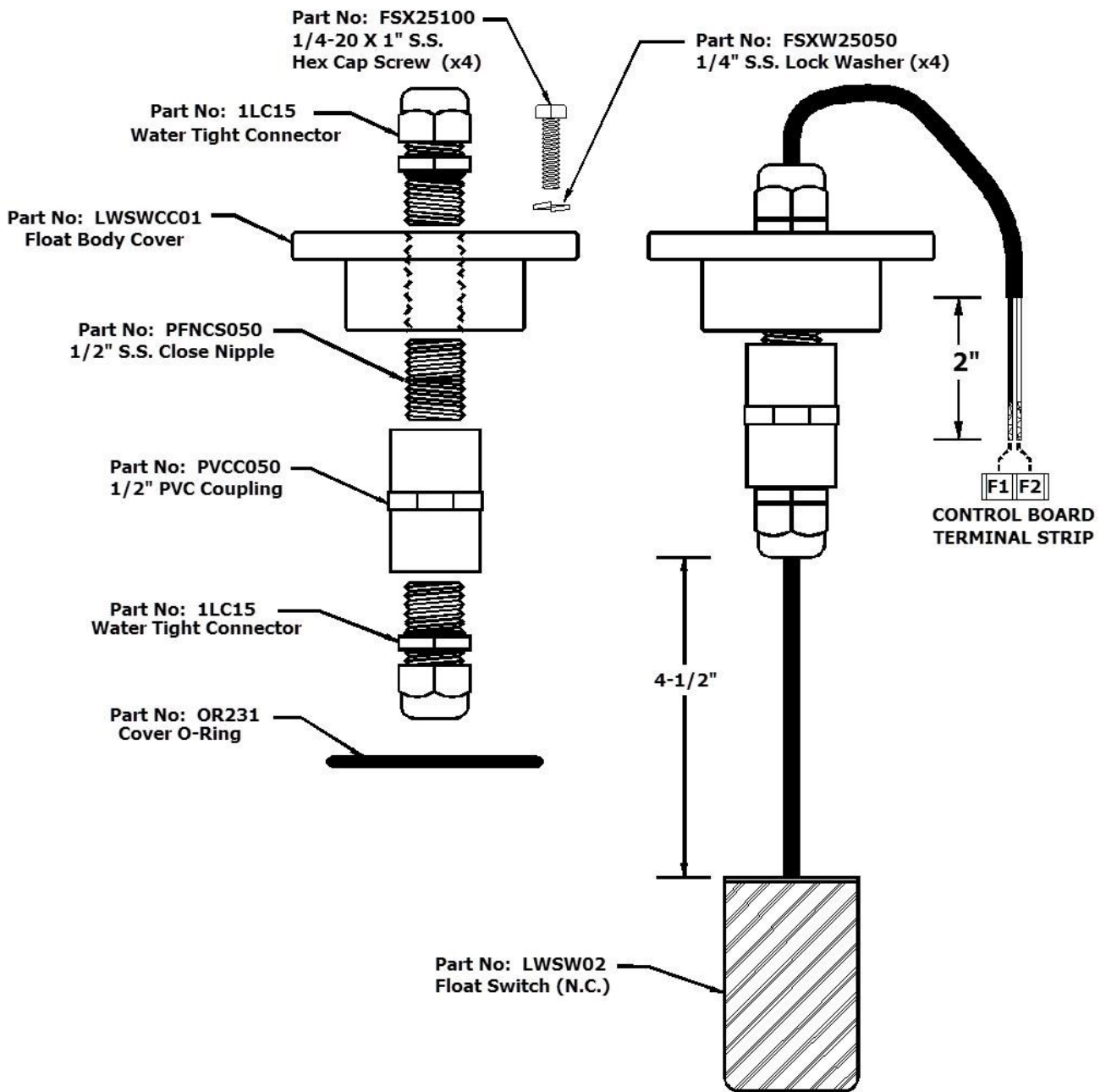


ITEM	PART NO.	QTY	DESCRIPTION
A	T003PVUNIT		OIL RESERVOIR - COMPLETE
B	PF229-4-2	2	BRASS BARBED ELBOW
C	T0016	1	SIGHT TUBE
D	OR015	1	O-RING FOR WICK ASSEMBLY
E	T0008PVA	1	WICK ASSEMBLY
F	PF169P-4-2	1	BRASS MALE ELBOW
G	T0015A	1	OIL LINE / CHECK VALVE ASSEMBLY
H	PF170P-4-2	1	BRASS FEMALE ELBOW
I	EDMP02A	1	ALUMINUM FILL PLUG
J	OR212	1	O-RING FOR FILL PLUG

Westmoor Ltd.
906 West Hamilton Ave
Sherrill, NY 13461
1-800-367-0972
www.westmoorltd.com



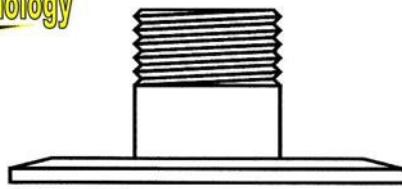
ProVac Float Switch Assembly



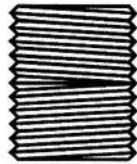


Vacuum Technology

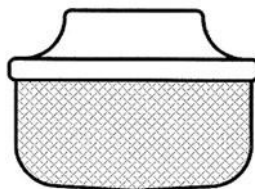
Part No: LWDE00 EXHAUST DEODORIZER



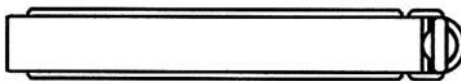
Part No: LWDE02
Deodorizer Top



Part No: PFNC075
3/4" Close Nipple



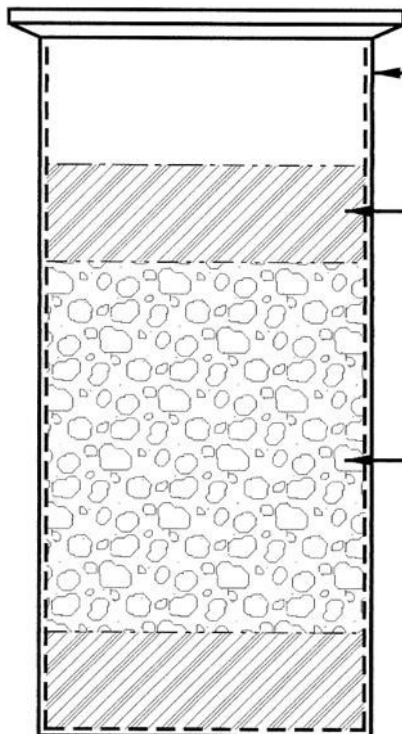
Part No: LWDE01A
Filter Screen



Part No: 1SS321630
S.S. V Insert Clamp



Part No: 1SS321030
Rubber Gasket



Part No: LWDE04
Deodorizer Canister

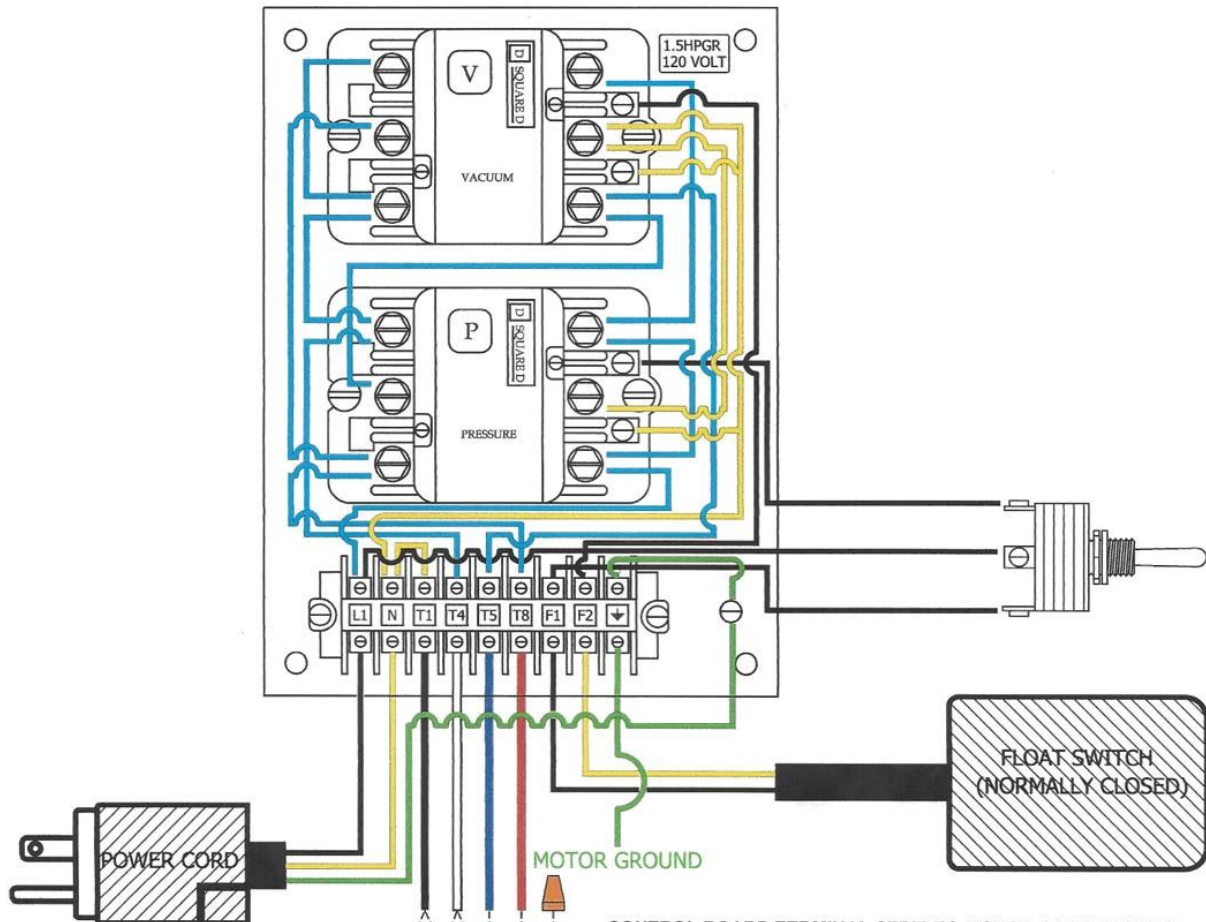
Part No: LWDEFLT1
Foam Filter Element
(2 PC Required)

Part No: LWDECH1
Replacement Charcoal

ProVac Conde

Industrial Pumpout System

Control Board Wiring for LWUNP60A10 Pumpout Unit



REPLACEMENT PARTS	PART NO.
CONTROL BOARD	LWFC015F
CONTACTOR - VAC/PRESS	LWFC01A
TOGGLE SWITCH	LWTG015
FLOAT SWITCH	LWSW02
CORD REEL	CORD1
1.5 HP ELECTRIC MOTOR	MT1.5F

(MOTOR LEADS)
 P 1
 T 3
 T 2
 T 4
 T 5
 T 8
 T
 P 2

CONTROL BOARD TERMINAL STRIP TO MOTOR CONNECTIONS

- TERMINAL (T1) TO MOTOR (P1 & T3)
- TERMINAL (T4) TO MOTOR (T2 & T4)
- TERMINAL (T5) TO MOTOR (T5)
- TERMINAL (T8) TO MOTOR (T8)
- NOTE: MOTOR LEAD (P-2) NOT USED (WIRE NUT)

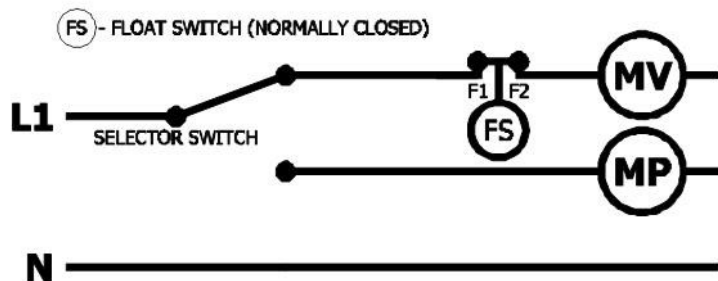
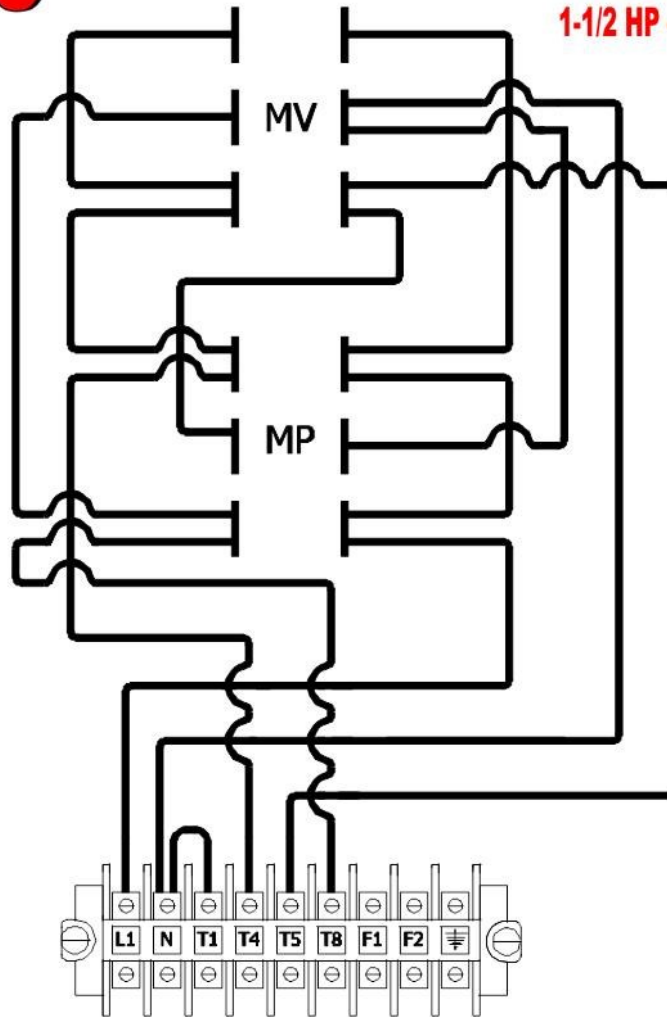
ProVac

INDUSTRIAL PUMPOUT UNIT

Part No: LWUNP60A10

CONTROL BOARD / CONTACTOR WIRING SCHEMATIC

1-1/2 HP - 1 PH / 120 VOLT



REPLACEMENT PARTS

CONTROL BOARD - COMPLETE

CONTACTOR - VAC / PRESS

TOGGLE SWITCH

FLOAT SWITCH

CORD REEL

1.5 HP-1 PH 115V ELEC. MOTOR

PART NO.

LWFC015F

LWFC01A

LWTG015

LWSW02

CORD1

MT1.5F